

Current Transducers: 0-10VDC Analog Output

Load Trending With 0-10VDC Output

APPLICATIONS

- Load trending
- Motor control
- Fan/pump status

FEATURES

Self-powered analog current sensor 0-10VDC output

- Self-gripping split-core for fast retrofit installation...no need to remove conductor (H923)
- No jumpers on unit...reduces installation error
- No external power required for sensor

Factory calibrated for ease of installation

- Factory calibrated field-selectable ranges for high resolution and installation ease
- One device to stock and install...reduces installation charges
- Removable mounting bracket for installation flexibility
- Bracket on H923 can be installed in three different configurations...added flexibility
- 100% solid state, no moving parts to fail
- 5-year limited warranty

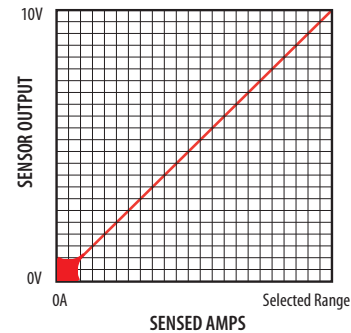


DESCRIPTION

The Hawkeye 723/923 Series provide accurate load trending information with a proportional 0-10VDC output signal. Devices offer three amperage range options, with slide-switch selection for easy field adjustment – no need for jumpers.

EXAMPLE LINEAR OUTPUT

Scale software as shown

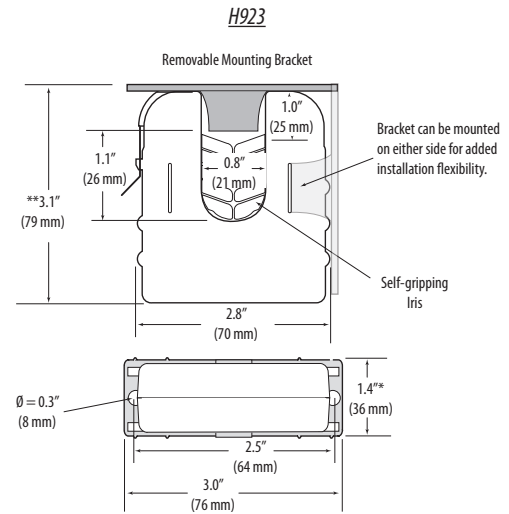
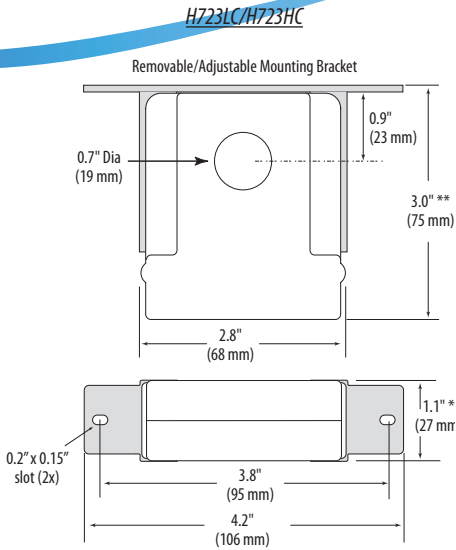


SPECIFICATIONS

Sensor Power	Induced from monitored current
Insulation Class	300VAC RMS
Frequency Range	50/60Hz
Temperature Range	-15° to 60°C (5° to 140°F)
Humidity Range	10 - 90% RH, non-condensing
Accuracy	±2% full scale from 10% to 100% (selected range)
Response Time	2 sec.
Terminal Block Maximum Wire Size	14 AWG
Terminal Block Torque (nominal)	4 in-lbs (0.45 N-m)

UL 508 open device listing CE:EN61010-1:2001-2, CAT III, deg. 2, basic insulation
For applications requiring double or reinforced insulation, please contact the factory

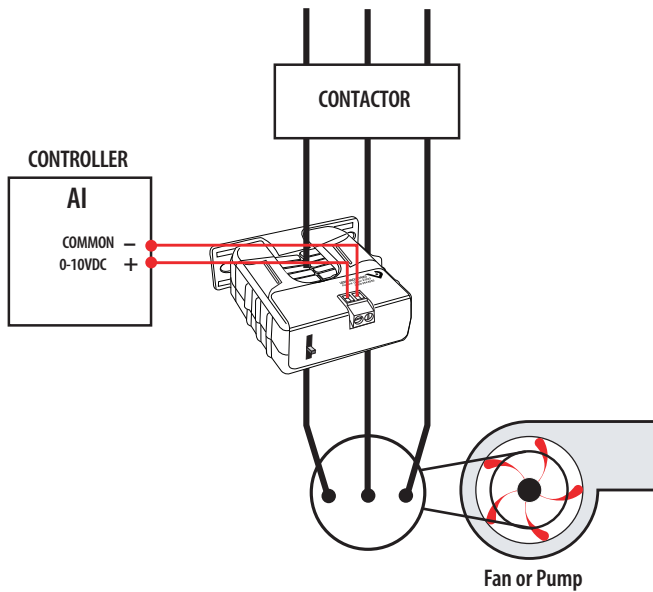
DIMENSIONAL DRAWINGS



* Terminal block may extend up to 1/8"; slide switch may extend up to 1/4" over the height dimensions shown.

APPLICATION/WIRING DIAGRAM

Monitoring Fan /Pump Motors for Positive Proof of Flow



ORDERING INFORMATION

MODEL	AMPERAGE RANGE	SENSOR OUTPUT	HOUSING	CE
H723LC	0 - 10/20/40A	0 - 10VDC	Solid-core	●
H723HC	0 - 50/100/200A		Solid-core	●
H923	0 - 20/100/150A		Split-core	●

ACCESSORIES

DIN Rail Clip Set (AH01)

DIN Rail (AV01) and DIN Stop Clip (AV02)