

Current Sensors: 4-20mA Analog Output



Load Trending With 4-20mA Output

DESCRIPTION

The Hawkeye 721LC, 721HC, and 921 provide accurate load trending information with a proportional 4-20mA output signal. Preset slide-switches provide easy field setup of sensed amperage range with no need for jumpers.

APPLICATIONS

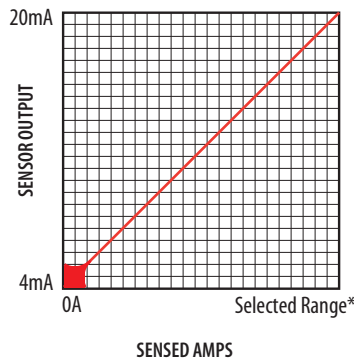
- Load trending
- Motor control
- Fan/Pump Status

FEATURES

- Power the sensor, and receive the signal with only two wires...lower cabling and commissioning costs than with traditional 3-wire sensors
- Self-gripping split-core for fast retrofit installation...no need to remove conductor (H921)
- Economical solid-core features adjustable bracket for easy alignment (H721)
- Factory calibrated switch-selectable ranges for high resolution and installation ease
- Three field-selectable ranges per unit...fewer versions to choose from, stock, and install
- Removable mounting bracket for installation flexibility
- Bracket on H921 can be installed in three different configurations...added flexibility
- 100% solid state, no moving parts to fail
- 5-year warranty

EXAMPLE LINEAR OUTPUT

Scale software as shown



*Factory calibrated ranges selected with the amperage range switch



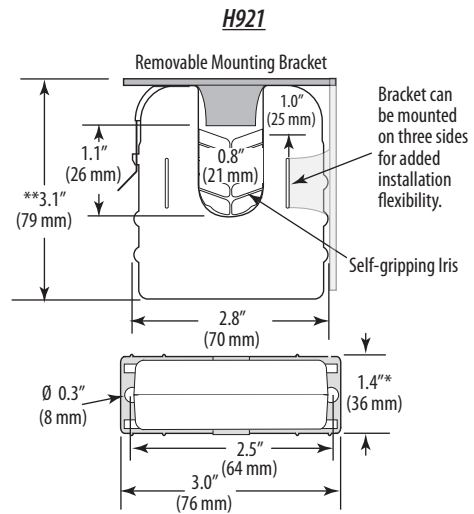
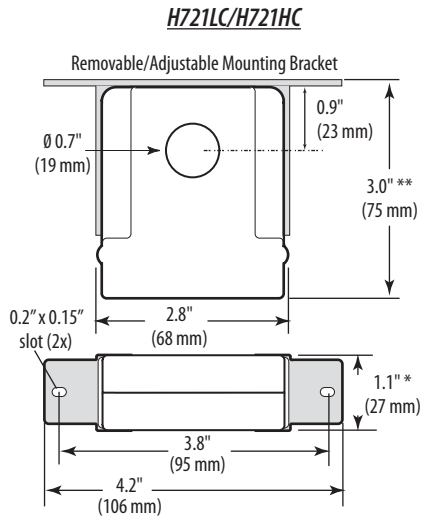
SPECIFICATIONS



| | |
|--------------------------|---|
| Sensor Power | 30mA (max)@12-30VDC |
| Insulation Class | 600VAC RMS (UL), 300VAC RMS (CE) |
| Frequency | 50/60 Hz |
| Temperature Range | -15° to 60°C (5° to 140°F) |
| Humidity Range | 10-90% RH non-condensing |
| Accuracy | ±2% F.S. from 10% to 100% of selected range, but not less than ±0.4A |
| Response Time | 2 sec. |
| Terminal Block Wire Size | 24-14 AWG (0.2 to 2.1 mm ²) |
| Terminal Block Torque | 3.5 to 4.4 in-lbs (0.4 to 0.5 N-m) |
| Agency Approvals | UL 508 open device listing; CE: EN61010-1:2001-2, CAT III, pollution degree 2, basic insulation |

For applications requiring double or reinforced insulation, please contact the factory.

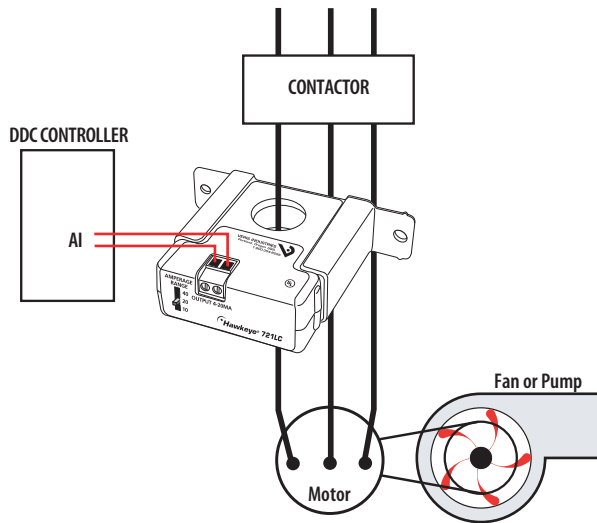
DIMENSIONAL DRAWINGS



* Terminal block may extend up to 1/8" over the height dimensions shown.
 ** Slide switch may extend up to 1/4" over the height dimensions shown.

APPLICATION/WIRING DIAGRAM

Monitoring Fan /Pump Motors for Positive Proof of Flow



ORDERING INFORMATION



| MODEL | AMPERAGE RANGE | SENSOR OUTPUT | HOUSING | UL | CE |
|--------|-----------------|---------------|------------|----------------|----|
| H721LC | 0 - 10/20/40A | 4-20mA DC | Solid-Core | ● | ● |
| H721HC | 0 - 50/100/200A | | Solid-Core | ● | ● |
| H921 | 0 - 30/60/120A | | Split-Core | ● ¹ | ● |

¹ Listed for use on 75°C insulated conductors.
 Note: For 10-80 Hz applications, see the H720 VFD sensor.

ACCESSORIES

DIN Rail Clip Set (AH01)
 DIN Rail (AV01) and DIN Stop Clip (AV02)

